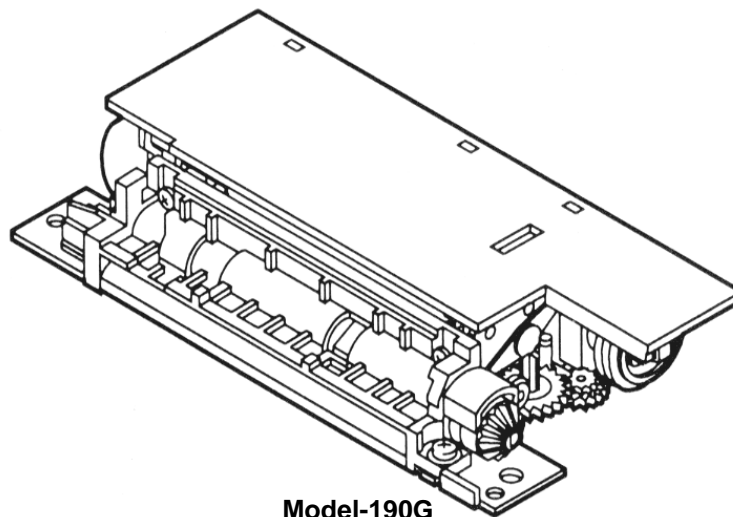


SERVICE MANUAL & PARTS LIST (without price)

impact dot matrix printer M-190G

DEC 1999



Model-190G

CASIO®

CONTENTS

1. OVERVIEW AND OPERATING PRINCIPLE

1.1 OVERVIEW	1
1.1.1 Characteristics	1
1.1.2 General Specifications	1
1.1.3 Overview of the Mechanism Section	4
1.2 OPERATION PRINCIPLE	5
1.2.1 Transmission Mechanism	5
1.2.2 Detector Mechanism	6
1.2.3 Print Mechanism	8
1.2.4 Paper Feeding Mechanism	10
1.2.5 Ribbon Feeding	15

2. HANDLING, MAINTENANCE, AND REPAIR

2.1 HANDLING	17
2.1.1 Handling the Printer Unit	17
2.1.2 Loading Paper	20
2.1.3 Replacing the Ribbon Cassette	21
2.1.4 Cleaning paper jams	23
2.2 MAINTENANCE	24
2.2.1 Cleaning	24
2.2.2 Inspection	24
2.3 REPAIR	25
2.3.1 Repair Levels	25
2.3.2 Repairing Procedure	25
2.3.3 Repairing Guide	26
2.4 OILING	31
2.4.1 Oil Types	31
2.4.2 Oiling Standard	31
2.4.3 Oiling Points (Refer to Fig. 3-2 "Overall oiling diagram")	32
2.5 TOOLS AND OIL	34
2.5.1 Tool List	34
2.5.2 Oiling List	34

3. DISASSEMBLY AND REASSEMBLY

3.1 DISASSEMBLY	35
3.2 ASSEMBLY	35
Subassembly 1	36
Main Assembly 1	39
Main Assembly 2	41
Main Assembly 3	46
Main Assembly 4	49
Main Assembly 5	50
Main Assembly 6	53
Main Assembly 7	55
Main Assembly 8	56
Main Assembly 9	57
Main Assembly 10	58
3.3 ADJUSTMENT	59
Adjusting the Platen Gap	59
3.4 M-190G/M192G PARTS NAME LIST	60
Overall Disassembly Diagram	61
3.5 OILING POINTS	62
Overall Oiling Diagram	64

4. PARTS LIST	65
---------------------	----

This is a “Table of Contents preview” for quality assurance

The full manual can be purchased from our store:

[https://the-checkout-tech.com/manuals/casio/M-190G printer service manual.html](https://the-checkout-tech.com/manuals/casio/M-190G%20printer%20service%20manual.html)

And our free Online Keysheet maker:

<https://the-checkout-tech.com/Cash-Register-Keysheet-Creator/>

[HTTPS://THE-CHECKOUT-TECH.COM](https://THE-CHECKOUT-TECH.COM)